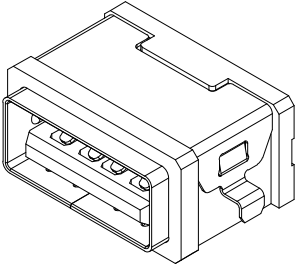


REV.	ECN. NO.	APPD.

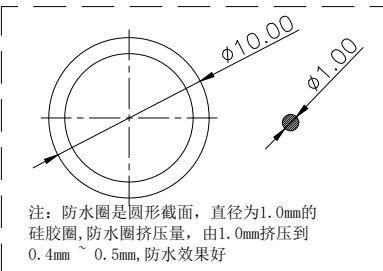
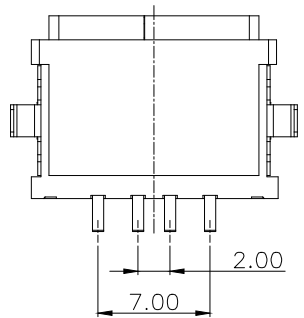
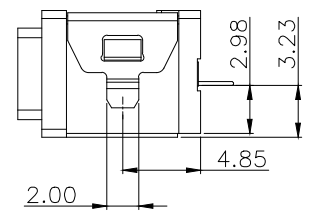
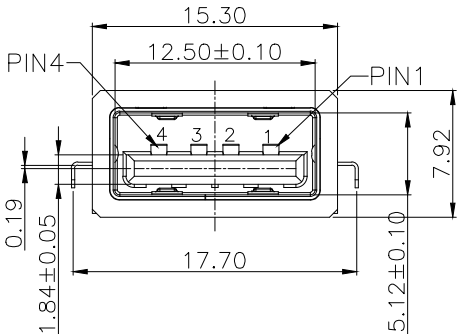
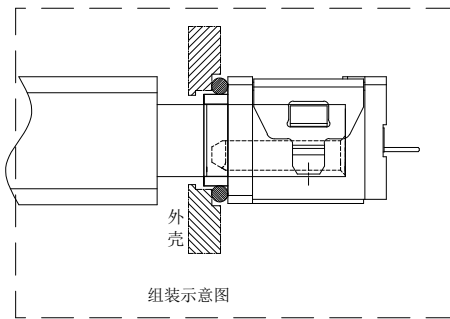
CAD GENERATED DRAWING. DON'T CHANGE BY HAND.

- NOTES:
SPECIFICATION:
1. CURRENT RATING: 3.0A MAX
 2. DIELECTRIC WITHSTAND VOLTAGE: 100VAC
 3. TEMPERATURE RANGE: -30 °C ~ 85 °C
 4. CONTACT RESISTANCE: 40 MILLIONHM MAX
 5. INSULATION RESISTANCE: 100 MEGOHMS MIN.
 6. INSERTION FORCE :10N~30N
 7. UNMATING FORCE: 8N~30N
 8. DURABILITY:1500 CYCLES



RECOMMENDED PCB LAYOUT(TOP VIEW)
THICKNESS T=1.0mm
DEFAULT TOLERANCE+/-0.05

结构设计注意:
1. 成品使用时, 如有洗面奶泡沫、牙膏、洗手液、脏污液体, 请在USB口外面再设计一层外壳, 保护USB与公头对插的导电部份不会被脏污覆盖。



注: 防水圈是圆形截面, 直径为1.0mm的硅胶圈, 防水圈挤压量, 由1.0mm挤压到0.4mm ~ 0.5mm, 防水效果好

PIN ASSIGNMENT

PIN NO.	1	2	3	4
SIGNAL NAME	VBUS	D-	D+	GND

5	Outer Shell	1	SUS 301 1/4H	
4	Inner Shell	1	SUS 301 1/4H	
3	PLASTIC Shell	1	PA10T (G.F30%)	
2	Contact	4	C7025 Ni 50U" Au1U" Plating Solder area Sn 100-150U"	
1	Housing	1	PA10T (G.F30%)	
ITEM	PART NAME	Q' TY	FINISH	NOTE
.X	±0.50	X.° ±2°	UNITS	东莞市铭标电子科技有限公司
.X	±0.30	.X° ±1°	mm	
.XX	±0.10	.XX° ±0.5°	MAT'L	
.XXX	±0.05			
			FINISH	PART NO. USB-11261PX7-00
			APPD:	TITLE: WATERPROFF USB 2.0 A TYPE
			CHKD:	DWG NO. : USB-11261PX7-00
			Q' TY	SCALE SHEET REV. 1/1 1/1 A1
			DR: JANE CHOU 2021/10/20	