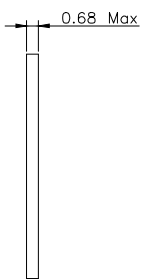
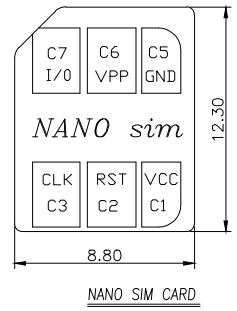
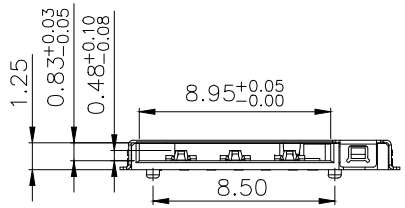
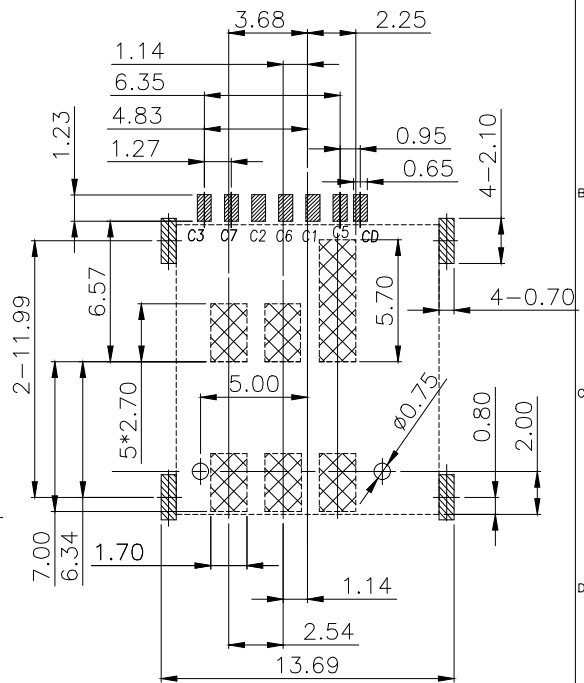
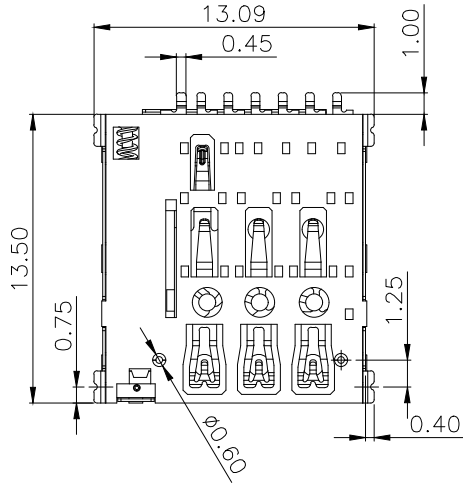
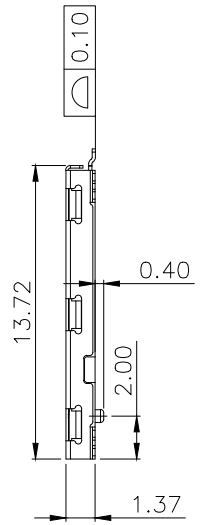
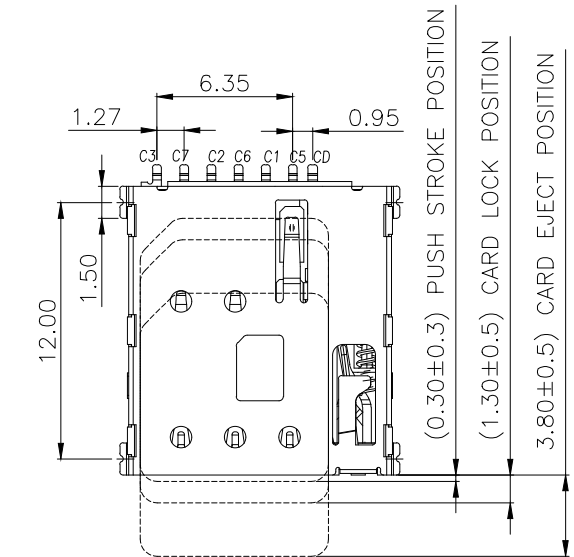


Customer drawings
Reference only

REV.	ECN.NO.	MODIFY.CONTENT	DATE
A0		NEW	2021/07/20



NOTES:

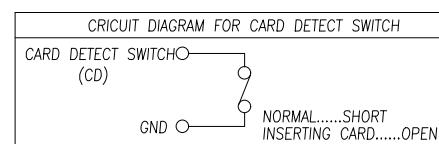
- MATERIAL:
HOUSING:LCP S475 UL 94V-0
CONTACT:C5210R-H
SHELL:SUS304-H
- FINISH:
CONTACT:GOLD FLASH PLATED ON CONTACT AREA;
GOLD FLASH PLATED ON SOLDER TAILS,
- ELECTRICAL CHARACTERISTICS
RATING CURRENT : 0.5A MAX.
CONTACT RESISTANCE :50 mΩ MAX
DIELECTRIC WITHSTANDING : 500V AC MIN.
INSULATION RESISTANCE: 1000 MΩ MIN.
- MECHANICAL CHARACTERISTICS
MATING CYCLE :3000 CYCLES
- PART NO.

- PAD AREA
- KEEP OUT AREA
- GND PATTERN ONLNE
- NO COPPER AREA
(NO Trace&Via&GND)

C: CARD TYPE
S4: NANO SIM CARD
07: 7Pin
137: 1.37 HEIGHT
A6-1
1: GOLD PLATED G/F
A6: SERIAL NUMBER

RECOMMENDED PCB LAYOUT
GENERAL TOLERANCE ±0.05

PIN#	Name
C1	VCC
C2	RST
C3	CLK
C5	GND
C6	VPP
C7	I/O



GENERAL TOLERANCE	DWG NO.	APPD:	WIND	Scale	1:1
X.±0.45	x.'±5°	Title	NANO SIM CARD P/P 7PIN 1.37H 带CD PIN(有柱) 顺插	CHKD:	UNIT mm
.X±0.35	.x'±2°	Part NO.	C-S407137A6-1	DR:	视角
.XX±0.25	.xx'±1°		Date	2021/07/20	版本 A2
.XXX±0.15	.xxx'±0.5°				

东莞市铭标电子科技有限公司
Ming Biao Electronic Technology Co., Ltd.