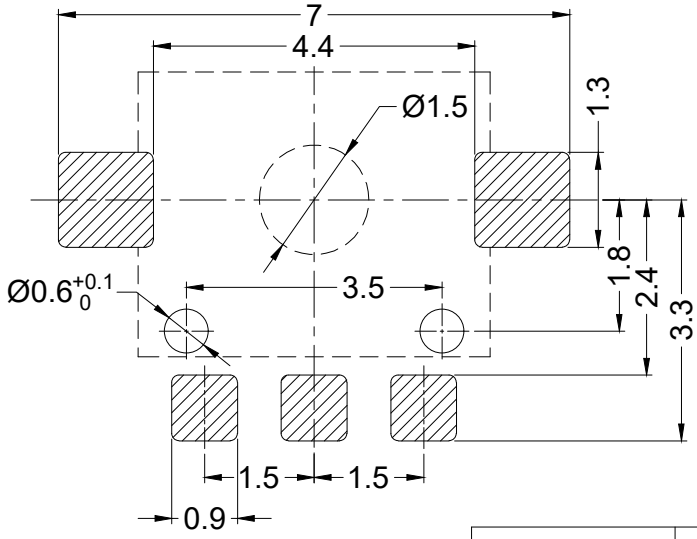
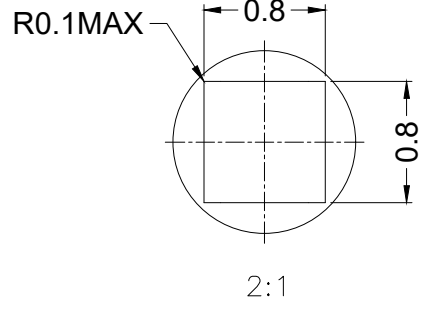
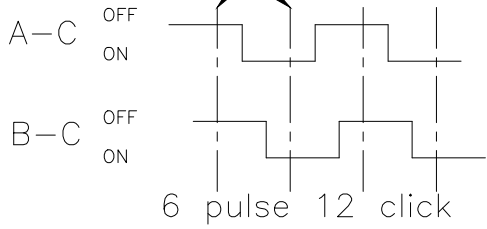


(Tolerance: ±0.1)
(P.C.B thickness t=0.3~0.5)



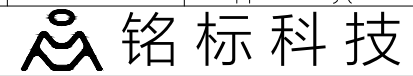
CW ROTATION

Detent position



1. Material list

ITEM	NAME	MATERIAL
1	Cover	Copper alloy(5191)
2	Anchor Plate	Stainless Steel Strips(SUS301)
3	Wheel gear	Engineering plastions(PA)
4	Base	Engineering plastions(PA)
5	ContactSpring	Copper alloy(5210)
6	Terminal	Copper alloy(C5191)



ITEM	PART NAME	Q'TY	MATERIAL	DESCRIPTION
05				
04				
03				
02				
01				

X _c	±0.3	DR:	DATE:	TITLE:
X _X	±0.2	CHKD:	DATE:	EVB01-C-R
X _{XX}	±0.15	APPD:	DATE:	
X _{XXX}	±0.1	PART NAME:		REV: A
ANGLES	±3°	DWG NO:		SCALE: 1:1
				UNIT:mm
				SHEET: 1/1