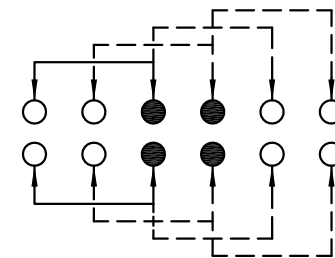
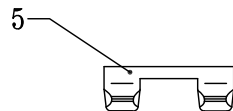
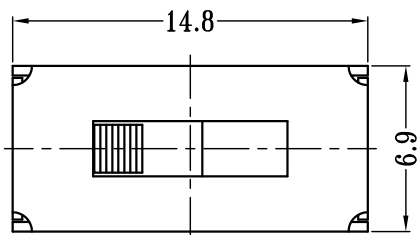
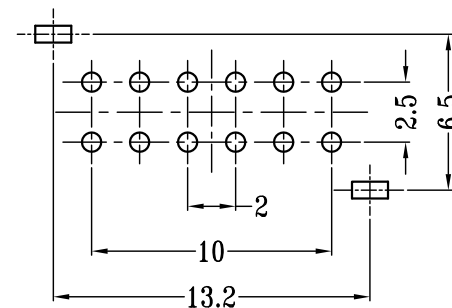
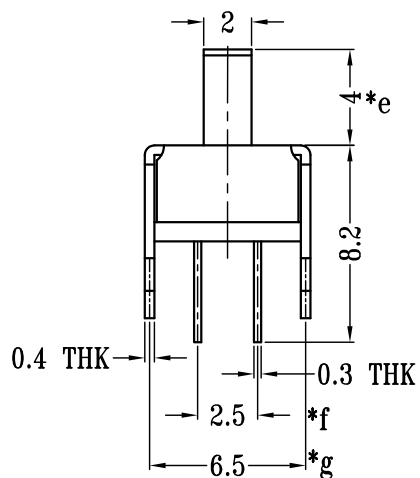
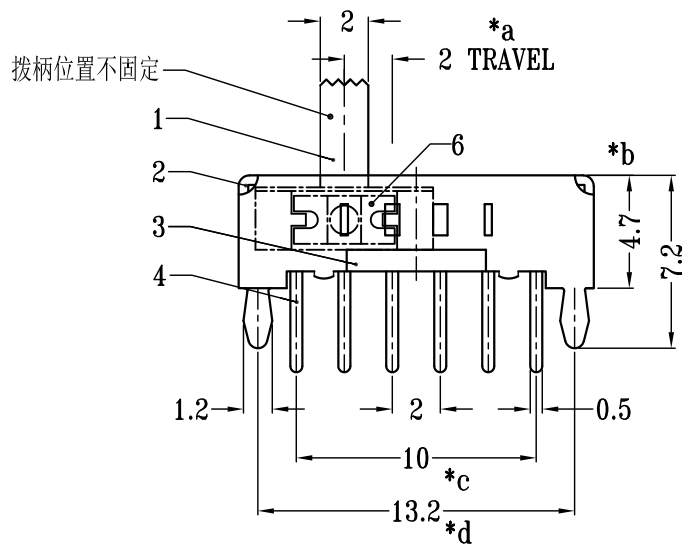


CAD FILE:




SCHEMATIC (SHORTING)



P.C.B LAYOUT  
TOP VIEW

注：“\*”表示关键尺寸(7个)

NO.	PARTS	MATERIALS	Q'TY	FINISH	TOLERANCE UNLESS SPECIFIED				
8									
7									
6	SPRING PLATE	PBS STRIP	2	NATURAL	WITHIN 1.5mm : ±0.1mm	A	2019-8-7	初版	
5	CONTACT CLIP	PBS C5210R-EH	2	Ag CLAD	OVER 1.5mm : ±0.2mm	ISSUE	DATE	王远杰	
4	TERMINAL	BRASS STRIP	12	Ag PLATED	TITLE : VERTICAL SLIDE SWITCH		UNIT : mm	DRWG NO.: HQ-DR-SS24D02G4-00	
3	BASE	PHENOLIC RESIN	1	NATURAL	MODEL: SS24D02G4-NF-Cs-II		SCALE: 3:1	DWN.	王远杰
2	FRAME	STEEL STRIP	1	Ni PLATED	 东莞市铭标电子科技有限公司 Ming Mark Electronic Technology Co., Ltd.		2019-8-7		
1	KNOB	PA66	1	BLACK			CHK'D	朱明华	2019-8-7
					RoHS		APPD.		