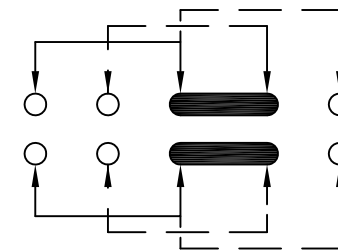
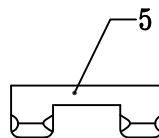
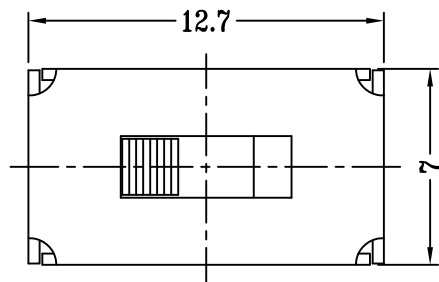
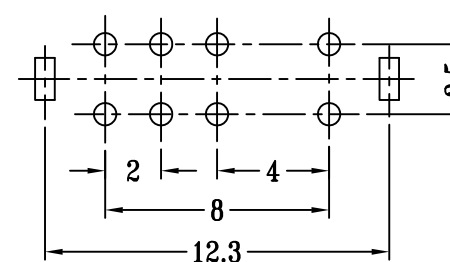
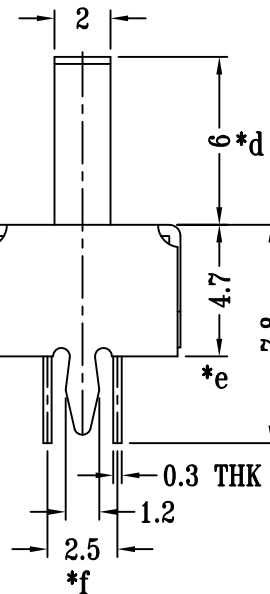
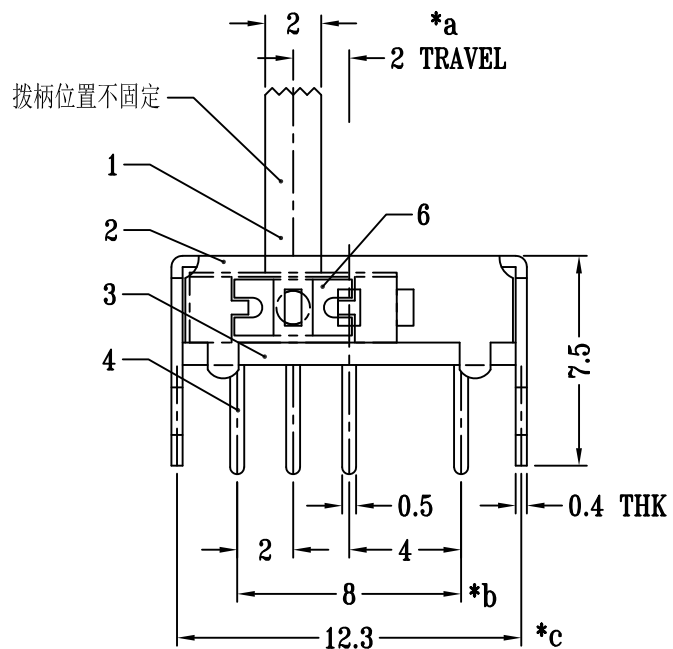


CAD FILE:



**SCHEMATIC (SHORTING)**



**P.C.B LAYOUT  
BOTTOM VIEW**

注：“\*”表示关键尺寸(6个).

NO.	PARTS	MATERIALS	Q'TY	FINISH	TOLERANCE UNLESS SPECIFIED	ISSUE	DATE	DESCRIPTIONS OF REVISION	APPD.
8									
7									
6	SPRING PLATE	PBS STRIP	2	NATURAL	WITHIN 1.5mm : ±0.1mm	A	2019-8-27	初版	王远杰
5	CONTACT CLIP	PBS C5210R-EH	2	Ag CLAD	OVER 1.5mm : ±0.2mm	ISSUE	DATE	DESCRIPTIONS OF REVISION	APPD.
4	TERMINAL	BRASS STRIP	8	Ag PLATED	TITLE : VERTICAL SLIDE SWITCH			UNIT : mm	DRWG NO.: HQ-DR-SS23D06G6-00
3	BASE	PHENOLIC RESIN	1	NATURAL	MODEL: SS23D06G6-NF-Cs-II			SCALE: 7:2	DWN. 王远杰 2019-8-27
2	FRAME	STEEL STRIP	1	Ni PLATED	东莞市铭标电子科技有限公司 Ming Mark Electronic Technology Co., Ltd.			CHK'D	朱明华 2019-8-27
1	KNOB	PA66	1	BLACK				RoHS	
NO.	PARTS	MATERIALS	Q'TY	FINISH					