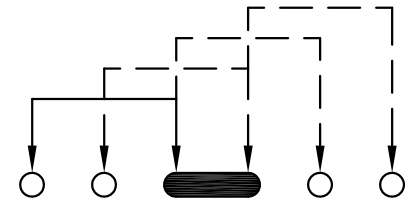
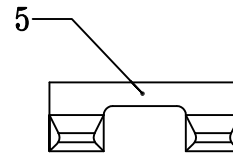
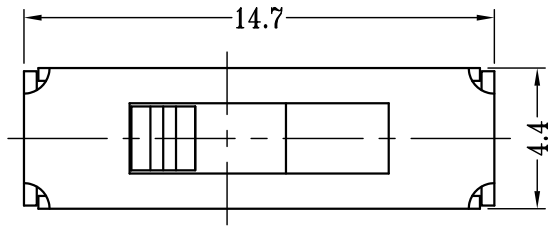
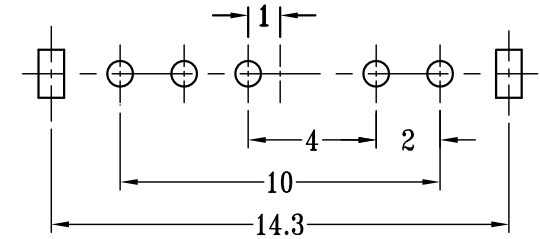
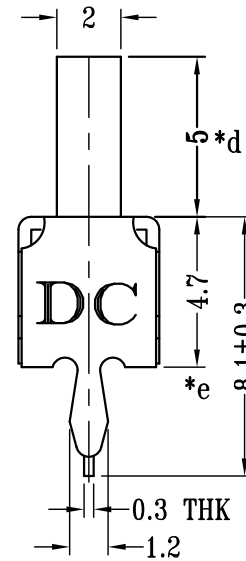
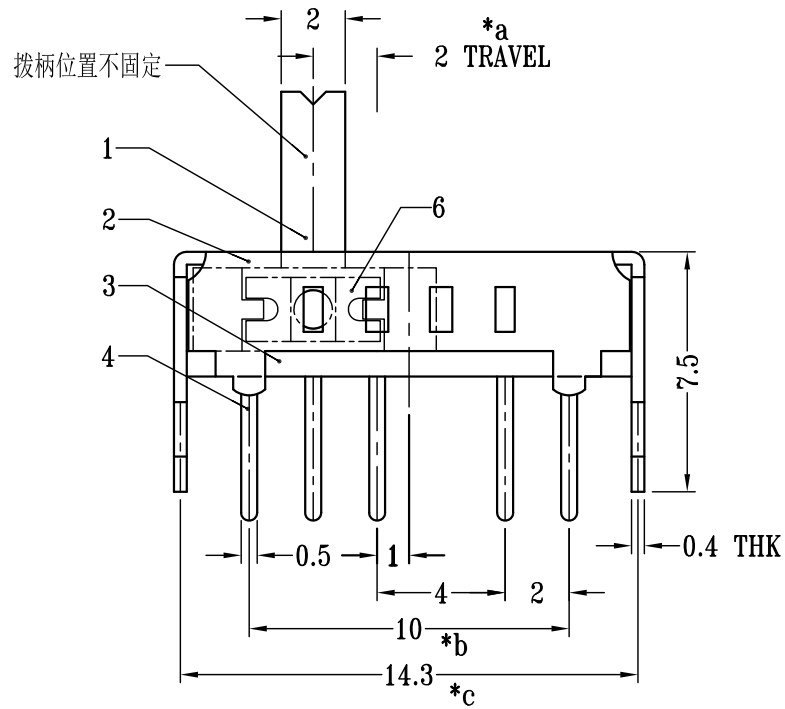


CAD FILE:



SCHEMATIC (SHORTING)



P.C.B LAYOUT
BOTTOM VIEW

注：“*”表示关键尺寸(5个).

NO.	PARTS	MATERIALS	Q'TY	FINISH	TOLERANCE UNLESS SPECIFIED			
8								
7								
6	SPRING PLATED	PBS STRIP	2	NATURAL	WITHIN 1.5mm : ±0.1mm	A	2019-8-13	初版
5	CONTACT CLIP	PBS C5210R-EH	1	Ag CLAD	OVER 1.5mm : ±0.2mm	ISSUE	DATE	王远杰
4	TERMINAL	BRASS STRIP	5	Ag PLATED	TITLE : VERTICAL SLIDE SWITCH			UNIT : mm
3	BASE	PHENOLIC RESIN	1	NATURAL	MODEL: SS14D02VG5-NF-Cs-II-DC			DRWG NO.: HQ-DR-SS14D02VG5-00
2	FRAME	STEEL STRIP	1	Ni PLATED	SCALE: 4:1	DWN.	王远杰	2019-8-13
1	KNOB	PA66	1	BLACK	东莞市铭标电子科技有限公司 Ming Mark Electronic Technology Co., Ltd.			CHK'D
								RoHS