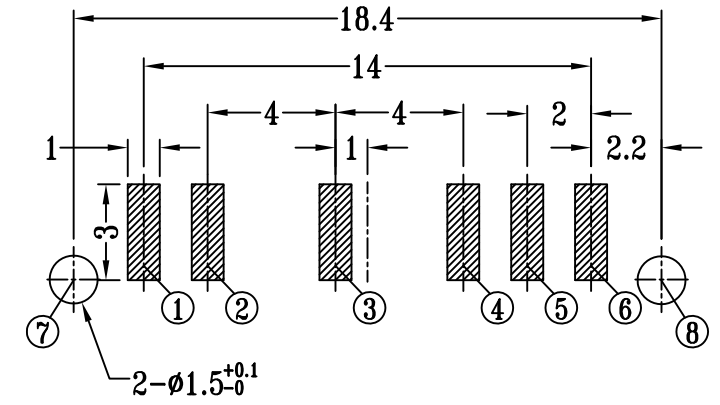
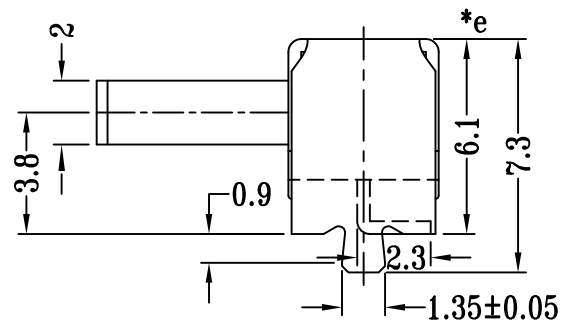
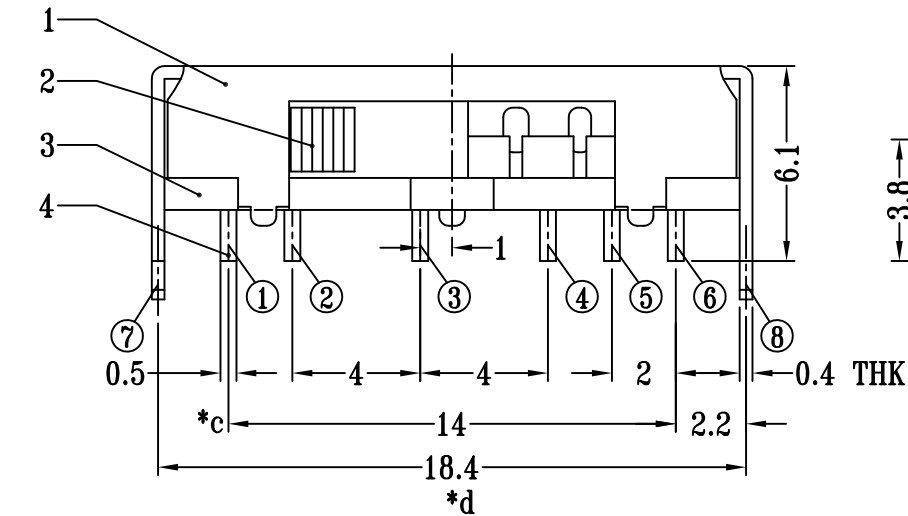


SCHEMATIC (SHORTING)



P.C.B LAYOUT  
TOP VIEW

注：“\*”表示关键尺寸(5个).

NO.	PARTS	MATERIALS	Q'TY		TOLERANCE UNLESS SPECIFIED				
8									
7									
6	SPRING PLATE	SUS	1	NATURAL	WITHIN 1.5mm : ±0.1mm	A	2022-03-03	初版	王远杰
5	CONTACT CLIP	PBS C5210R-EH	1	Ag(8u) CLAD	OVER 1.5mm : ±0.2mm	ISSUE	DATE	DESCRIPTIONS OF REVISION	APPD.
4	TERMINAL	BRASS STRIP	6	Ag(8u) PLATED	TITLE : HORIZONTAL SLIDE SWITCH		UNIT : mm	DRWG NO.: HQ-DR-SK15D02G6-00	
3	BASE	PHENOLIC RESIN	1	NATURAL	MODEL: SK15D02G6-PPA-Cs-N-RD		SCALE: 4 : 1	DWN.	王远杰
2	KNOB	PPA	1	BLACK	东莞市铭标电子科技有限公司 Ming Mark Electronic Technology Co., Ltd.			APPD.	朱明华
1	FRAME	STEEL STRIP	1	Ni(40u) PLATED				2022-03-03	
						RoHS			