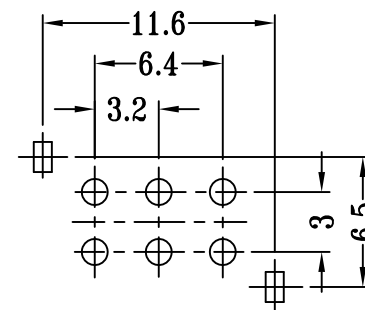
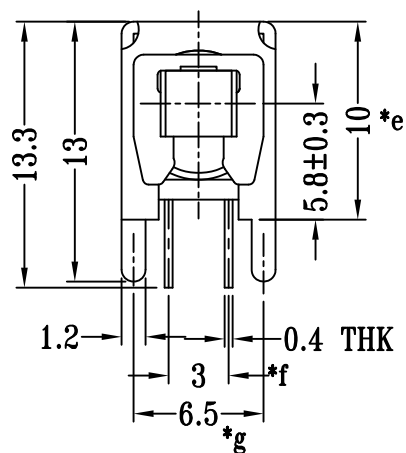
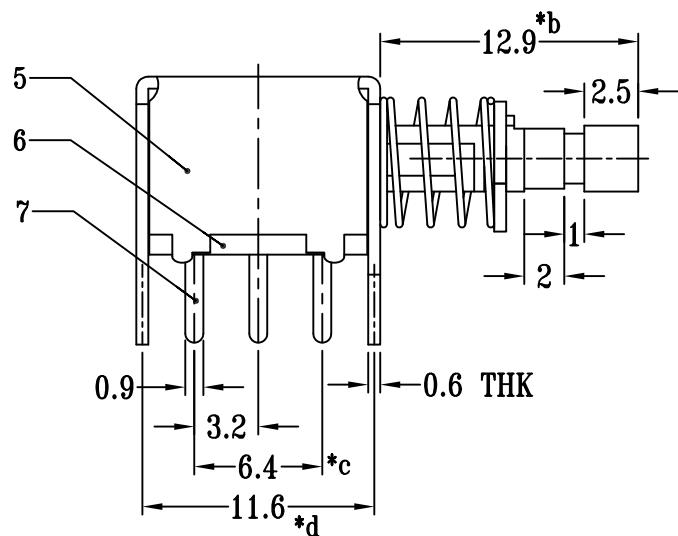
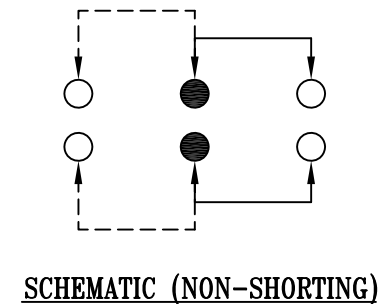
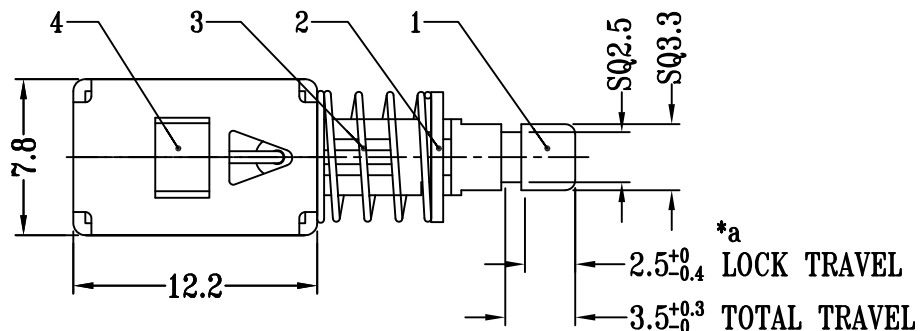


CAD FILE:



P.C.B LAYOUT
BOTTOM VIEW

注：“*”表示关键尺寸(7个)

9	CONTACT CLIP	PBS C5210R-EH	2	Ag CLAD
8	CAM STICK	PBS WIRE	1	NATURAL
7	TERMINAL	BRASS STRIP	6	Ag PLATED
6	BASE	PHENOLIC RESIN	1	NATURAL
5	FRAME	STEEL STRIP	1	Ni PLATED
4	SPRING PLATE	PBS STRIP	1	NATURAL
3	SPRING	STEEL WIRE	1	Ni PLATED
2	BLOCK	STEEL STRIP	1	Ni PLATED
1	KNOB	PA66	1	BLACK
NO.	PARTS	MATERIALS	Q'TY	FINISH

TOLERANCE UNLESS SPECIFIED				
WITHIN 1.5mm : ±0.1mm	A	2019-11-03	初版	王远杰
OVER 1.5mm : ±0.2mm	ISSUE	DATE	DESCRIPTIONS OF REVISION	APPD.
TITLE : PUSH SWITCH		UNIT : mm	DRWG NO.: HQ-DR-PS22F02Cs-00	
MODEL: PS22F02-Cs		SCALE: 5:2	DWN. 王远杰	2019-11-03
东莞市铭标电子科技有限公司 Ming Mark Electronic Technology Co., Ltd.			CHK'D	朱明华
			APPD.	
		RoHS		