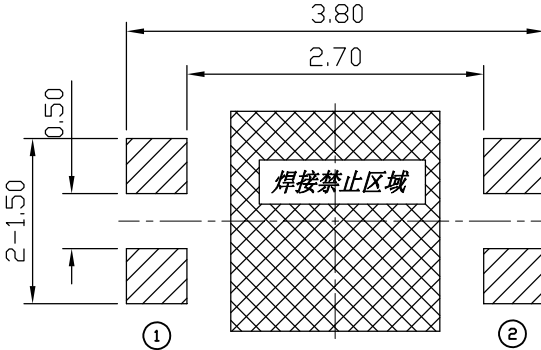
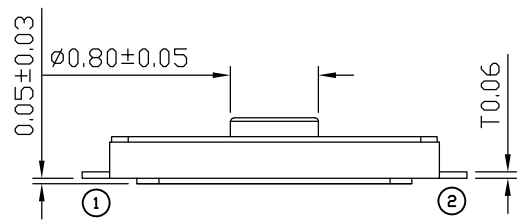
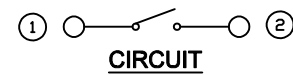


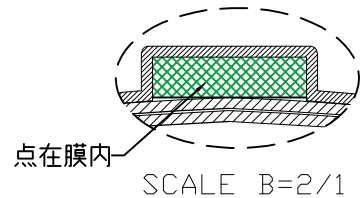
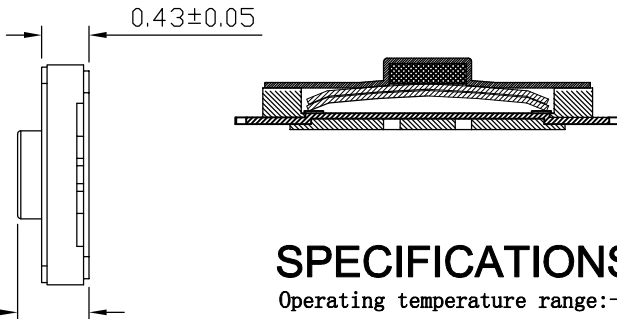
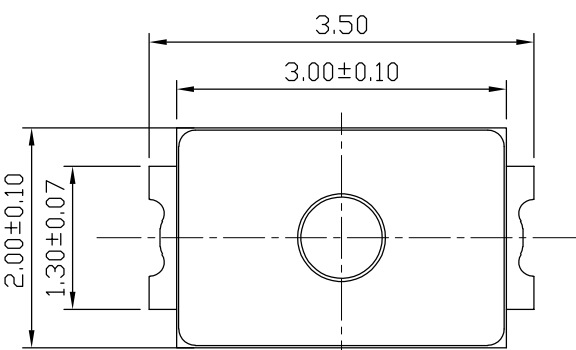
本公司智慧财产未经许可不得复制  
ning biao copyright, may not be used without permission from ning biao.



P.C.B LAYOUT



CIRCUIT



HOW TO ORDER:

TAF03—□ □ □—□

- Stem Color: B=Black, R=Red, N=Non stem
- Film Color: W=White, Y=Yellow
- Operating Force: K=110gf, F=200gf, I=120gf, C=250gf, M=150gf, L=270gf, J=160gf, X=300gf, N=180gf
- Package: B=Bulk, R=Reel



SPECIFICATIONS:

Operating temperature range: -30°C to +85°C  
 Rating: 50mA, 12V DC Max  
 Insulation resistance: 100MΩ min, 100V DC  
 Dielectric strength: 100V AC for 1min  
 Contact resistance: 100mΩ Max  
 Life: K:I:M:J:N:300,000 Cycles F:C:L:X:100,000 Cycles  
 Travel: 0.18±0.05mm  
 Operating force: 180±50gf

		东莞市铭标电子科技有限公司 Ming Biao Electronic Technology Co., Ltd.						
TOLERANCE				DESIGN	DATE	TITLE	Tact Switch	
UNLESS OTHERWISE STATED				WYJ	2017. 10. 19			
X.X	±0.20	SIZE	A4	CHKD	DATE	MODEL	TAF03-BW□-□	
X.XX	±0.15	REV	A					
X.XXX	±0.10	UNIT	mm	APPD	DATE	SHEET	1/3	
<	±2°	SCALE	15:1			PRINT DATE	2023.12.29	