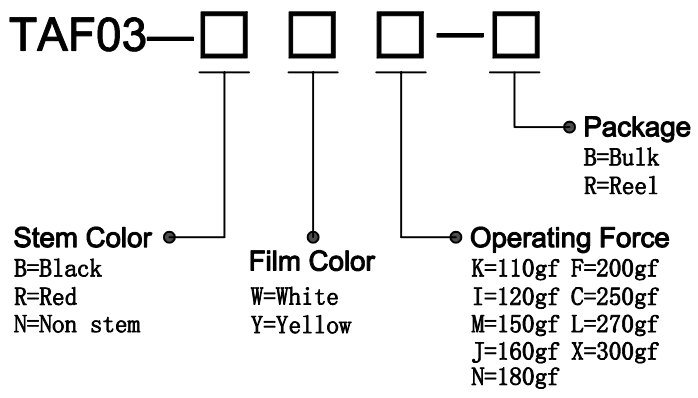


**HOW TO ORDER:**



**SPECIFICATIONS:**

Operating temperature range: -30°C to +85°C  
 Rating: 50mA, 12V DC Max  
 Insulation resistance: 100MΩ min, 100V DC  
 Dielectric strength: 100V AC for 1min  
 Contact resistance: 100mΩ Max  
 Life: K:I:M:J:N:300,000 Cycles F:C:L:X:100,000 Cycles  
 Travel: 0.18±0.05mm  
 Operating force: 180±50gf



				东莞市铭标电子科技有限公司 Ming Biao Electronic Technology Co., Ltd.				
TOLERANCE				DESIGN	DATE	TITLE	Tact Switch	
UNLESS OTHERWISE STATED				WYJ	2017. 10. 19			
X.X	±0.20	SIZE	A4	CHKD	DATE	MODEL	TAF03-□□□-□	
X.XX	±0.15	REV	A	APPD	DATE	SHEET	1/3	
X.XXX	±0.10	UNIT	mm			PRINT DATE	2023.12.18	
<	±2°	SCALE	16:1					